

Eshteal Arak Industrial Engineering Company is the only manufacturer of high-capacity rotary cup burners in the country, and these burners are used by all boiler companies in the country. Among the unique products produced by this company are power valves that are designed for saturated and superheated steam lines. This product was produced for the first time in the country in 2014 in the Mobarake steel complex and at a pressure of 70 bar It has been used successfully Eshteal Arak Industrial Engineering Company has been modernizing its production lines since 2003 and is currently equipped with more than 98 machines, 61 of which are CNC lathes and milling centers (referred to at the end), stepped into the field of producing products with modern sophisticated technology It should be mentioned that this company has succeeded in obtaining the knowledge-based badge on burners and valves during two consecutive periods, and in order to enhance the brand and satisfy customers, the necessary standards such as ISIRI 7595, ISIRI 7594, ISO 3834, ISO 9001:2015 and implemented 5S



These valves are Full Lift and Semi Nozzle types, which are suitable for steam, air and water. In these valves, the type of sealing is Metal on Metal. The material of the body is Cast Iron up to the maximum pressure of 12 bar and Ductile Iron up to the maximum pressure of 17.5 bar and Cast Steel up to the maximum pressure of 28 bar.

This valve is available in the size of 1", 1 1/2", 2", 3", 4"

Conventional Safety Valve (SFV 600)



ESHTEAL ARAK

INDUSTRIAL ENGINEERING CO.
Manufacturer of burners, valves
and precision tools for steam boilers

☎ 086-34131213-5

☎ 09908136277 (sales)
☎ 09912709038 (after sales)

☎ 086-34131217

✉ eshteal.arak@gmail.com
✉ eshteal.commerce@gmail.com

📷 eshtealarak

📍 Factory: Hadid St-Haji Abad Industrial Zone 7th km
of Qom Road-Arak-Iran

📍 Head office: 4th floor-No.3 Apartment Asef Vaziri
alley southern Bahar St Taleghani St-Tehran-Iran

Spring Safety Valve

Type SFV 600

Description

The SFV600 is full lift, semi nozzle, spring loaded safety valve. This valve has open bonnet, lifting lever and metal on metal seal. For steam, air and water, calculations are according to EN ISO 4126.



Applications

This safety valve is suitable for:

Steam, Air, vessels and general relief applications.

Ability to built up back pressure max. 10% from set pressure.

Dimensions and pipe connections

▪ Cast iron Body Dimensions (approx.) in mm

Nominal size	Valve Dimensions and Standard of Flange														
	Inlet Flange (BS 4504 PN16)						Outlet Flange (BS 4504 PN16)						A	B	H
	Size	Raised Face	D1	N	O	P	Size	Raised Face	D2	N	O	P			
1"	1" DN25	68 x 2	115	4	14	85	1 1/2" DN40	88 x 3	150	4	18	110	100	105	430
1 1/2"	1 1/2" DN40	88 x 3	150	4	18	110	2 1/2" DN65	122 x 3	185	4	18	145	115	140	555
2"	2" DN50	102 x 3	165	4	18	125	3" DN80	138 x 3	200	8	18	160	120	150	610
2 1/2"	2 1/2" DN65	122 x 2	185	4	18	145	4" DN100	158 x 3	220	8	18	180	140	170	735
3"	3" DN80	138 x 3	200	8	18	160	5" DN125	188 x 3	250	8	18	210	160	195	806
4"	4" DN100	158 x 2	220	8	18	180	6" DN150	212 x 2	285	8	22	240	180	220	930

▪ Cast steel Body Dimensions (approx.) in mm

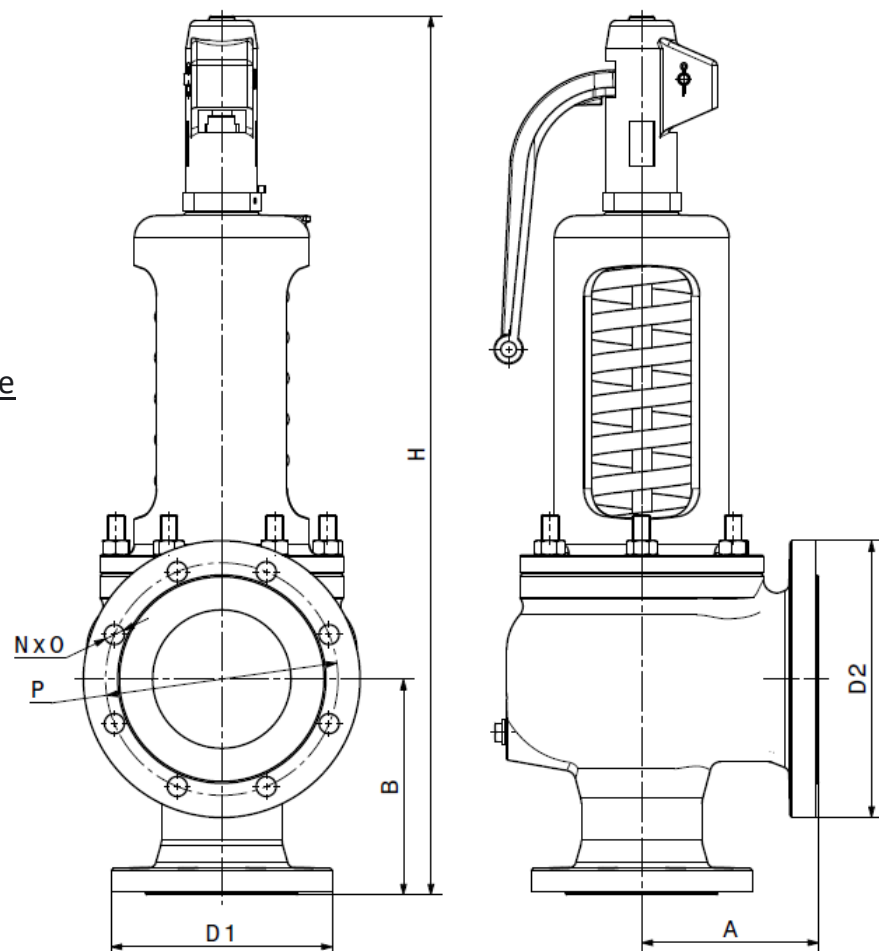
Nominal size	Valve Dimensions and Standard of Flange														
	Inlet Flange (BS 4504 PN40)						Outlet Flange (BS 4504 PN16)						A	B	H
	Size	Raised Face	D1	N	O	P	Size	Raised Face	D2	N	O	P			
1"	1" DN25	68 x 2	115	4	14	85	1 1/2" DN40	88 x 3	150	4	18	110	100	107	430
1 1/2"	1 1/2" DN40	88 x 3	150	4	18	110	2 1/2" DN65	122 x 3	185	4	18	145	115	140	555
2"	2" DN50	102 x 3	165	4	18	125	3" DN80	138 x 3	200	8	18	160	120	150	610
2 1/2"	2 1/2" DN65	122 x 3	185	8	18	145	4" DN100	158 x 3	220	8	18	180	140	170	735
3"	3" DN80	138 x 3	200	8	18	160	5" DN125	188 x 3	250	8	18	210	160	196	807
4"	4" DN100	162 x 2	235	8	22	190	6" DN150	212 x 2	285	8	22	240	180	220	930

Inlet and Outlet flange

N = No. of holes

O = Dia. Of holes

P = Pitch circle dia.



Capacities

Capacity for saturated steam and air in 10% over pressure

Set pressure Bar g	I saturated steam Capacities (kg/h)						II Air at 0°C and 1.013 bar a Capacities (Nm ³ /h)					
	DN25		DN40		DN50		DN65		DN80		DN100	
	I	II	I	II	I	II	I	II	I	II	I	II
2	477	607	1220	1550	1900	2425	3220	4100	4880	6210	7625	9700
2.5	572	731	1460	1870	2285	2925	3865	4945	5855	7490	9145	11700
3	662	850	1695	2175	2645	3400	4475	5750	6775	8700	10600	13600
4	837	1080	2140	2770	3350	4330	5650	7310	8570	11080	13400	17300
5	1000	1300	2565	3330	4000	5210	6770	8800	10260	13340	16000	20840
6	1165	1520	2990	3900	4665	6090	7890	10300	11950	15600	18650	24370
7	1330	1745	3400	4465	5320	6970	9000	11790	13600	17860	21300	27900
8	1495	1965	3820	5030	5980	7860	10100	13280	15300	20100	23900	31430
9	1660	2185	4245	5590	6630	8740	11200	14770	16950	22370	26500	34960
10	1820	2400	4665	6150	7290	9610	12300	16250	18650	24600	29150	38500
11	1985	2625	5080	6720	7940	10500	13400	17750	20300	26900	31750	42000
12	2150	2845	5500	7290	8590	11380	14500	19240	22000	29150	34350	45500
13	2310	3070	5920	7850	9250	12270	15600	20730	23650	31400	37000	49000
14	2475	3290	6340	8400	9900	13150	16700	22200	25350	33650	39600	52600
15	2640	3500	6760	8980	10550	14030	17800	23700	27000	35900	42200	56100
16	2800	3725	7170	9540	11200	14900	18950	25200	28700	38200	44800	59600
17	2965	3950	7590	10100	11850	15800	20050	26700	30350	40400	47400	63100
18	3130	4170	8010	10670	12500	16650	21150	28100	32050	42700	50100	66700
19	3295	4390	8430	11240	13150	17550	22250	29600	33700	44900	52700	70200
20	3460	4610	8850	11800	13800	18400	23350	31150	35400	47200	55300	73700
21	3620	4830	9250	12370	14500	19300	24500	32650	37100	49400	57900	77300
22	3790	5050	9700	12930	15150	20200	25600	34150	38800	51700	60600	80800

Pressure/temperature rating

Body material	Maximum set pressure	Maximum Temperature
Cast iron	16 bar	Up to 250 °C
Cast steel	22 bar	Up to 400 °C

Material

Item	Part name	Material
1	Bonnet	Cast iron
2	Cap	Cast iron
3	Body	Cast steel Cast iron
4	Spring	Alloy steel
5	Plug	Stainless steel
6	Spindle guide	Stainless steel (1" to 2")
		Cast iron (2 ½" to 4")
7	Disc	Stainless steel
8	Cone	Stainless steel
9	Spindle	Stainless steel
10	Pin	Steel
11	Ball	Stainless steel
12	Spindle key	Stainless steel
13	Bushing	Stainless steel
14	Washer	Stainless steel
15	Bushing	Stainless steel
16	Pin	Alloy steel
17	Pin	Stainless steel
18	Lever	Cast iron
19	Pin	Steel
20	Gasket	
21	Cotter pin	Steel
22	Hexagon nut	Steel
23	Stud	Steel
24	Stud	Steel
25	Adjusting screw	Stainless steel
26	Lock nut	Stainless steel
27	Screw	Stainless steel
28	Washer	Copper
29	Screw	Steel
30	Bushing	PTFE
31	Seal	Stainless steel

